

franklite

Twista 2lt Bracket

FL2162/2

Product Family

Twista

In chrome finish with clear crystal glasses. LED G9 lamps should be used but suitability for dimming will depend on the lamp and switch used.

Finish

Chrome

Arrangement

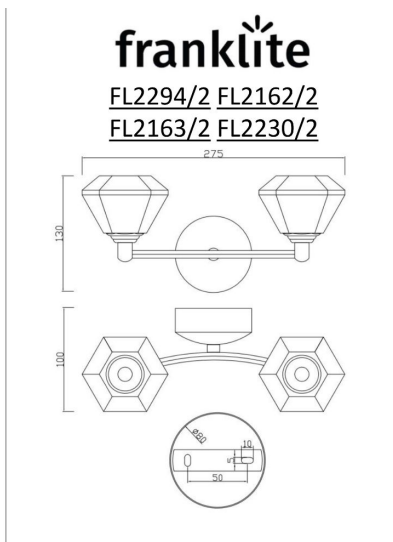
2 Light

Fixture Type

Wall Bracket



Line Drawing Image



Product Specifications

Insulation	: Class 1 - single insulation, earthed
Fire Restriction	: No restriction
IP Rating	: 20
Number of Lamps	: 2
Lamp cap	: G9
Lamp Code	: L308
Lamp Max	: 5 W
Lumens	: 500
LED K	: 3000
Height	: 125mm
Width	: 270mm
Stock Weight	: 1.00 kg
Dimmable	: Yes

