

franklite

Campani 3lt Fitting

DP40023

Product Family

Campani

In chrome/satin nickel finish with clear edged acid glasses. LED G9 lamps should be used but suitability for dimming will depend on the lamp and switch used.

Finish

Chrome / Satin Nickel

Arrangement

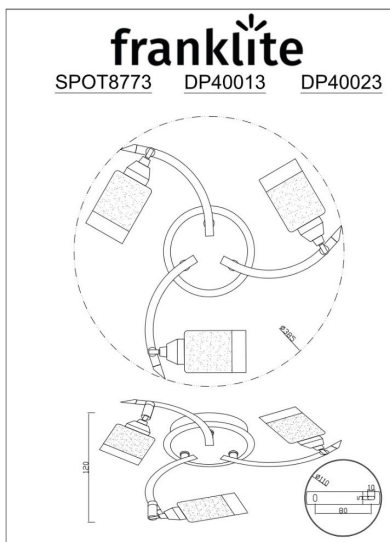
3 Light

Fixure Type

Ceiling Flush



Line Drawing Image



Product Specifications

Insulation	: Class 1 - single insulation, earthed
Fire Restriction	: No restriction
IP Rating	: 20
Number of Lamps	: 3
Lamp cap	: G9
Lamp Code	: L308
Lamp Max	: 5 W
Lumens	: 750
LED K	: 3000
Height	: 200mm
Stock Weight	: 1.00 kg
Diameter	: 600 mm
Dimmable	: Yes

