

franklite

Fizz 2lt Bracket

FL2006/2

Product Family

Fizz

In chrome finish double with faceted glass sconces and satin opal glass bowls. LED G9 lamps should be used but suitability for dimming will depend on the lamp and switch used.

Finish

Chrome

Arrangement

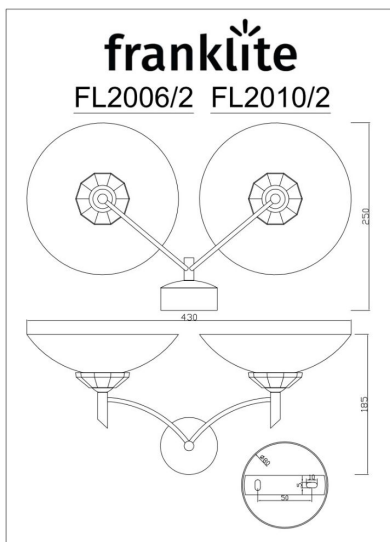
2 Light

Fixture Type

Wall Bracket



Line Drawing Image



Product Specifications

Insulation	: Class 1 - single insulation, earthed
Fire Restriction	: No restriction
IP Rating	: 20
Number of Lamps	: 2
Lamp cap	: G9
Lamp Code	: L308
Lamp Max	: 5 W
Lumens	: 500
LED K	: 3000
Height	: 185mm
Width	: 460mm
Stock Weight	: 2.00 kg
Dimmable	: Yes

